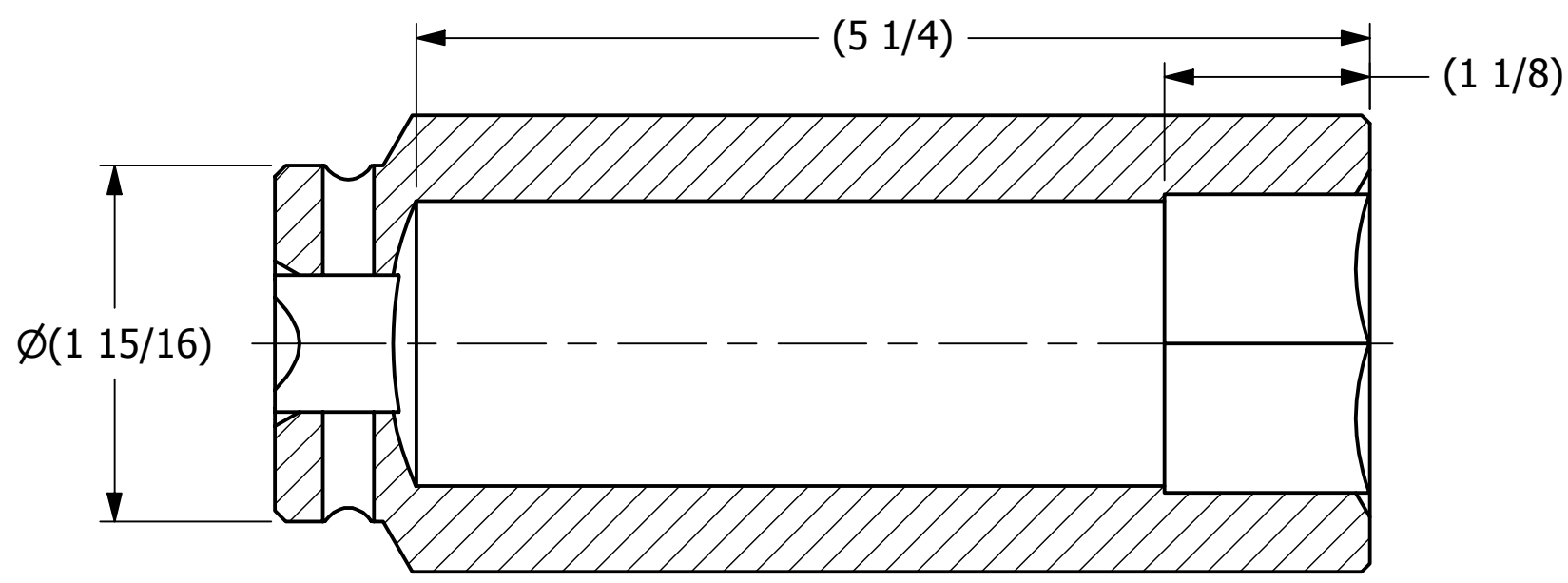
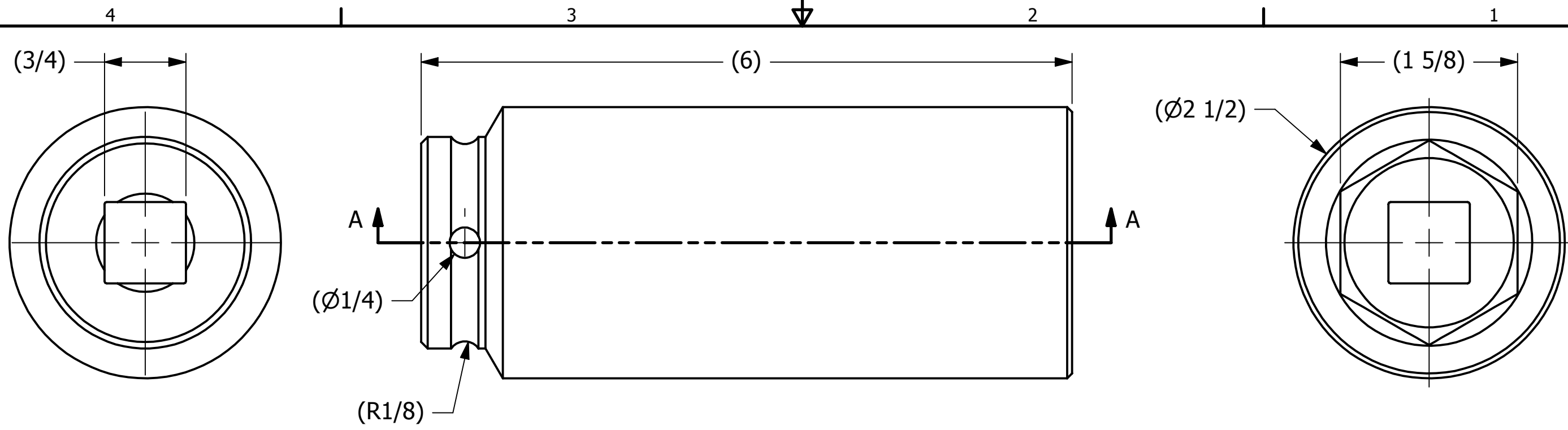


SALES DRAWING

SALES DRAWING



SECTION A-A

A	CHL	1-7-02	NEW PART ADDED TO SYSTEM
REV	BY	DATE	DESCRIPTION

UNLESS OTHERWISE SPECIFIED DIMENSIONAL TOLERANCES		DRAWN BY:	CHL
FRACTIONAL:	±1/16	CHECKED BY:	SAB
X.XX:	±.03	PROTOTYPE BY:	CHL
X.XXX:	±.015	PROTOTYPE DATE:	1/7/2002
ANGULAR:	±1°	APPROVED FOR PRODUCTION BY:	SAB
DEBURR ALL SHARP EDGES. ALL MACHINED SURFACES TO HAVE A 125 RMS FINISH UNLESS NOTED OTHERWISE.		PRODUCTION DATE:	1/7/2002
THIRD ANGLE PROJECTION			

**SALCO PRODUCTS, INC.**

PART NAME: **SOCKET 1 5/8"X6" HEX**

MATERIAL: **4140 STEEL W/BLACK OXIDE FINISH**

PROJECT #: **010815** SHEET #: **1 OF 1** SCALE: **1:1**

DRAWING #: **B16441** PART #: **SKT158X**

THIS PRINT, PROPERTY OF SALCO PRODUCTS INC., CONTAINS PROPRIETARY INFORMATION AND MUST NOT BE COPIED, REPRODUCED, OR USED DETRIMENTALLY TO OUR INTEREST.